

**NEW ROAD**  
**RDE0118/1CR**

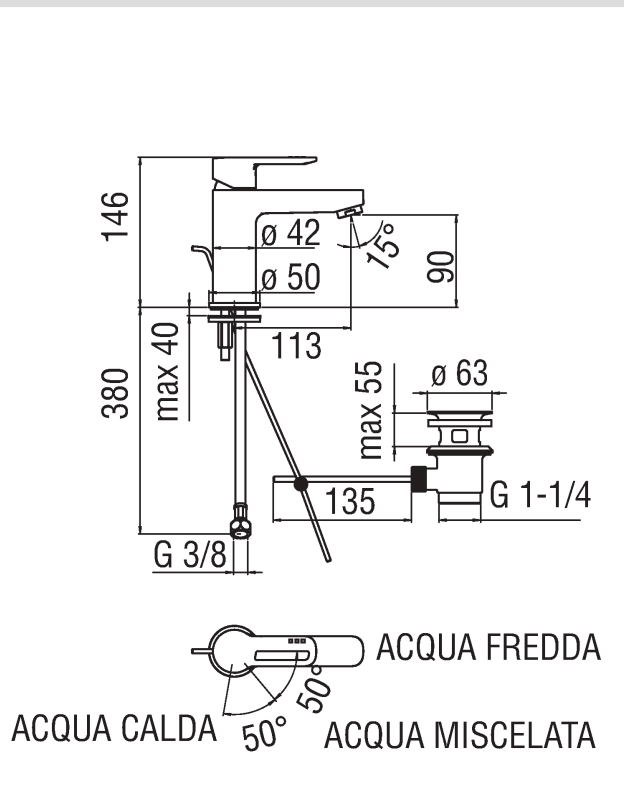
**NOBILIS®**

The Best Technology for Water

**Image**



**Technical drawing**



**Specifications**

- Washbasin
- ECO single control
- Chrome Finish
- Cartridge  $\varnothing$  35 mm
- Energy saving (opening in cold water with central lever position)
- Dynamic flow limiter (-50%)
- The temperature limiter
- Aerator Neoperl® cascade M 24 x 1
- Flexible Parigi® SPX® stainless steel  $\varnothing$  3/8"
- Packaging: 41,2 x 16,4 x 7,1 cm / 0,004797 m<sup>3</sup> / 1,68 kg

**Flow rate diagram**

