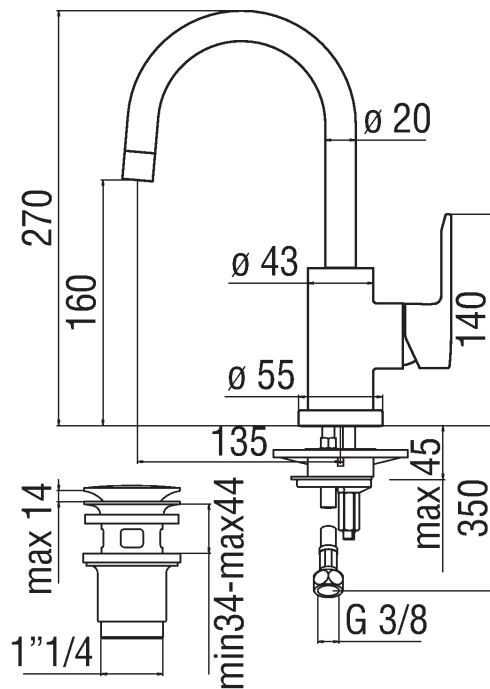


Image



Technical drawing



Specifications

- Washbasin
- Single control
- Chrome Finish
- Swivel spout
- Cartridge \varnothing 35 mm
- Dynamic flow limiter (-50%)
- The temperature limiter
- Aerator Neoperl® M 16 x 1
- Flexible Parigi® SPX® stainless steel \varnothing 3/8"
- Packaging: 56,5 x 29 x 7,1 cm / 0,011633 m³ / 2,8 kg

Flow rate diagram

